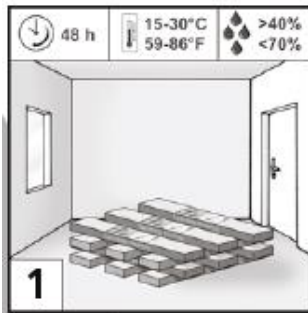


LAYING INSTRUCTIONS – ONE CLICK

JANGAL | Laminate

PREPERATION



Store the planks in the unopened packaging at room temperature horizontally in the room for at least 48 hours before installation. Before, during and at least three days after installation, the following room climate conditions must be ensured: room climate:

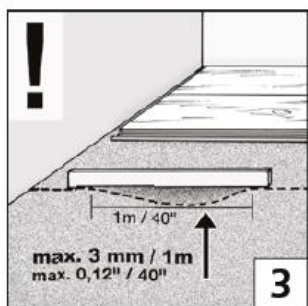
- Room climate: at least 20° degrees
- humidity: 50 - 70%



We recommend that you use the following tools for installation:

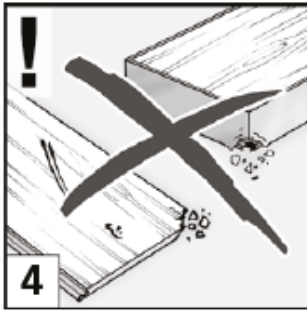
- vapor barrier
- spacer blocks
- Separate impact sound insulation
(if it is not already integrated in the floorboard)
- tapping block
- saw
- pencil
- bending rules
- hammer

Measure the width of the room in advance and calculate the width of the last row of boards.

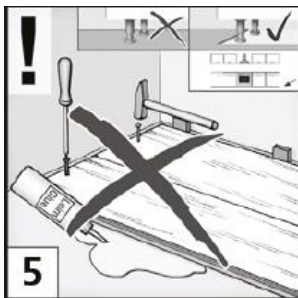


The substrate for laying the designfloor must be such that the floor can be laid according to the instructions. As underground are u.a. mineral substrates (such as screed, concrete, asphalt), which must be absolutely level, dry, clean and stable.

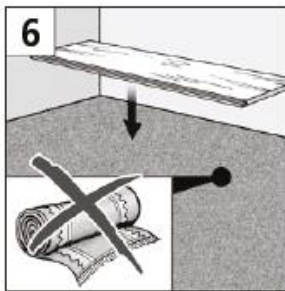
Any floor deviation greater than 3 mm per 1 m must be professionally leveled (in accordance with DIN 18202). The evenness of the ground can be e.g. with a straight edge or a long spirit level.



Before installation please check again the individual boards for any defects, dimensions and optical equality of the surface in daylight at the place of installation.



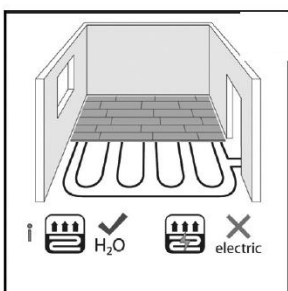
The floor is installed as a floating floor. Boards must not be glued, screwed, nailed or otherwise fixed to the subfloor. Kitchen must be set up before installation. Installation on the floor is not permitted.



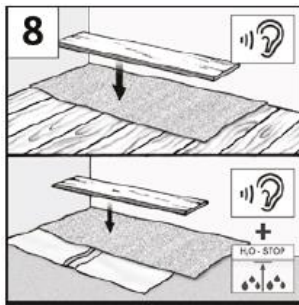
Carpets must always be removed. The carpet underneath the flooring causes a resilient movement and too much when walking on the surface. The pressure in the edge area destroys the tongue and groove connection and leads to a joint formation.



The floor is not suitable for wet rooms

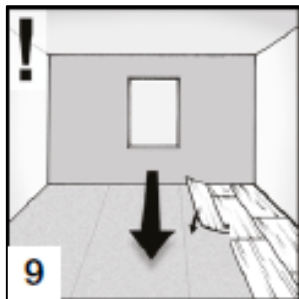


The floor can be installed over a hot water heating system.

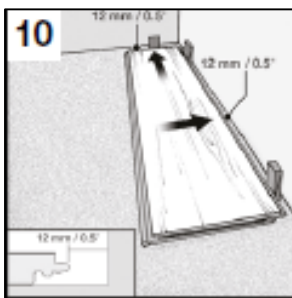


For wooden substrates no PE foil may be laid. Before laying on mineral subfloors (concrete, screed, etc.), a suitable vapor barrier film must be installed to protect against moisture. On all substrates, a suitable underlayment is recommended. The insulation underlay is laid on "impact" and fixed with Alu Tape, i.e. not overlapping. It must be ensured that the grooves of the insulation underlay are not directly under the joints of the flooring.

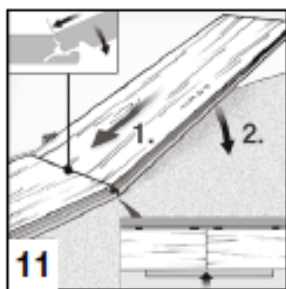
But do not use a separate impact sound insulation if the product already has an integrated underlay.



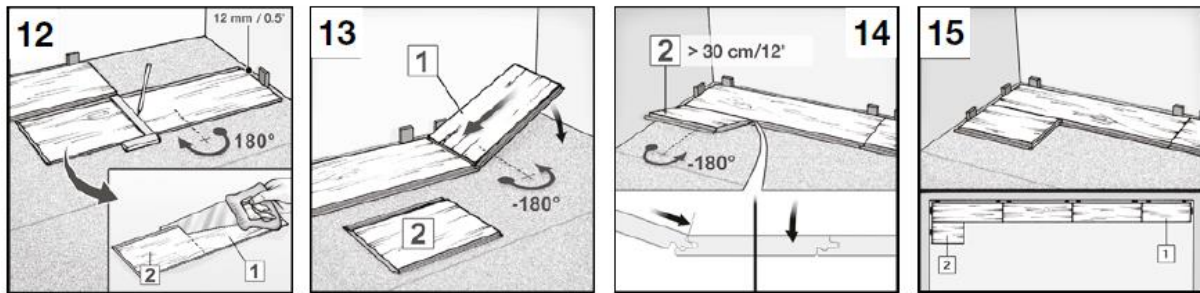
It is advisable to sort the panels before laying according to the desired grain pattern and, if necessary, to the color nuances. Process opened packages immediately! Recommendation: Lay the panels longitudinally to the main light source. For non-linear walls, please transfer the course of the wall to the first row of panels and saw the panels accordingly. Also measure the depth of the room before laying. If the last panel row has a width of less than 5 cm, you must divide the piece into the first and last rows of panels, so that both rows are cut to the same width as the panel.



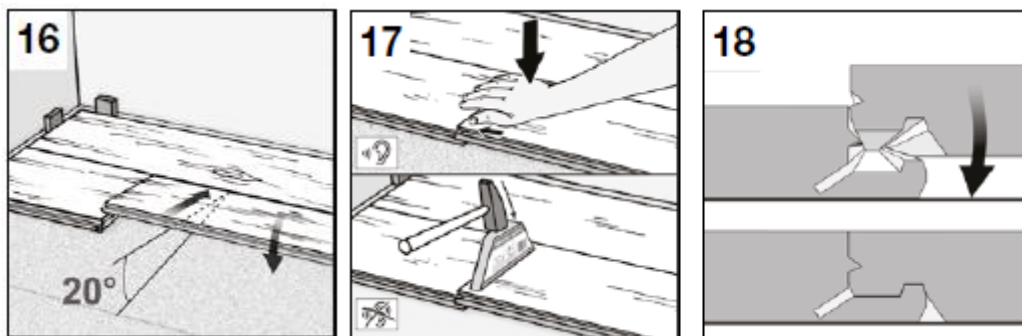
Start laying in the left corner of the room. Place the first panel with the spring side to the wall and secure the edge distance with spacer wedges. Absolutely maintain a 12-15 mm edge distance (expansion joint) to the wall, heating pipes, pillars, door stoppers etc.



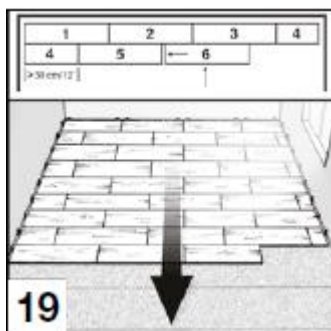
Place a second front panel (short side) at a 30° angle into the groove profile of the first front panel and lay it flat on the floor. Make sure that the lengthwise edges are aligned and not staggered so that they form a straight line. This is necessary to be able to insert the panels into the longitudinal profile without joints when laying the 2nd row of panels. In this installation method, use supplementary panels at the end of the first row.



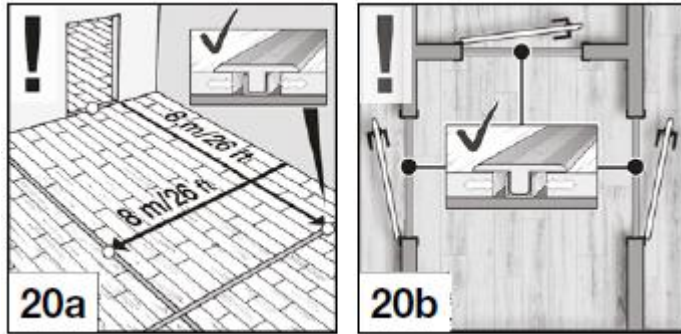
Rotate the last panel of the row by 180° to cut/fit, place it with the decor side up next to the existing row and on the right side of the wall. Leave a distance of 12-15 mm between the edges of the front panel. Mark and saw the length of the panel. The last panel in the first row is also inserted at a 30° angle into the groove profile of the previous panel and laid flat on the floor. Make sure that the longitudinal edges are aligned, not staggered and form a straight line. Start the second row with half a panel (length ≤ 95cm) or just the rest (length ≥ 30cm). Insert the panel piece lengthways into the groove profiling of the 1st row and lock in place / angled. The transverse joint offset must be from row to row at min. 30 cm.



Insert a second panel lengthwise into the groove profiling of the preceding panel areas and slide it to the left at an angle of 20 ° to the already laid panel. Then bend downwards and snap in with pressure from the top to the audible click. Care must be taken to ensure that the panel to be laid is inserted and guided cleanly in the longitudinal profile.

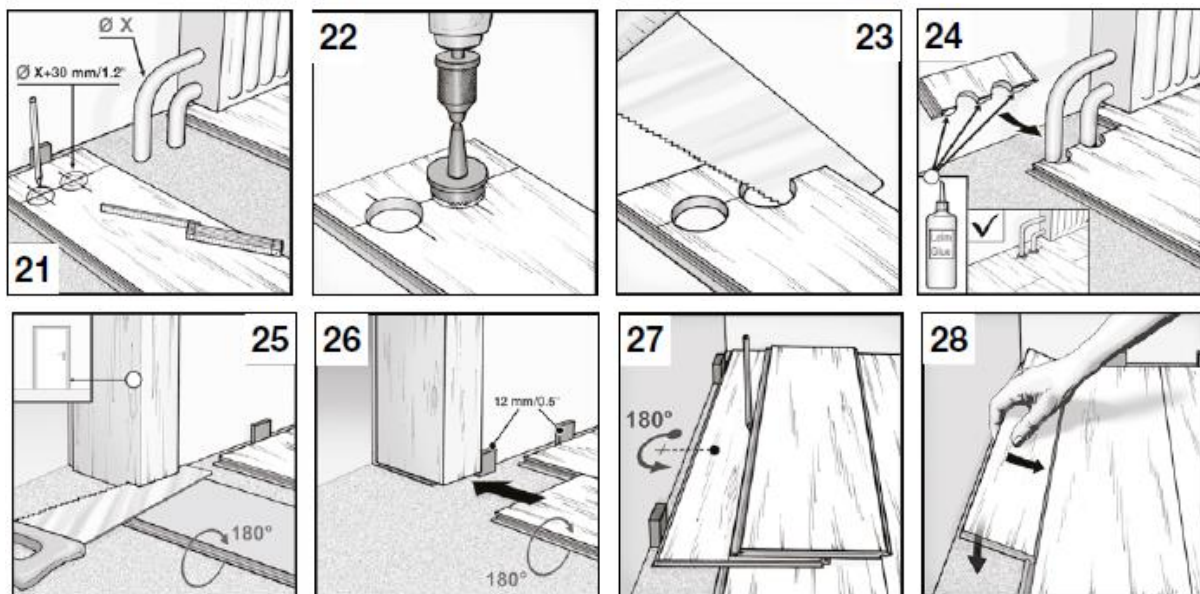


To avoid edge chipping, the decor side should face down when using electric jigsaws or circular saws. Otherwise cut off from the top of the panel. Start each new row with the remainder (at least 30 cm long) of the previous row.



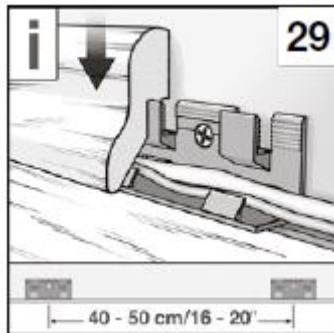
For installation surfaces with a length of more than 8 m or width and in strongly crooked rooms, expansion joints (at least 2 cm wide) are required. Only then can the soil expand or contract as the climate changes. Please note this also for a cross-room installation. Here, the areas in the door frame area must be interrupted. Expansion joints can be expertly covered with appropriate profiles.

LAYING IN SPECIAL PLACES



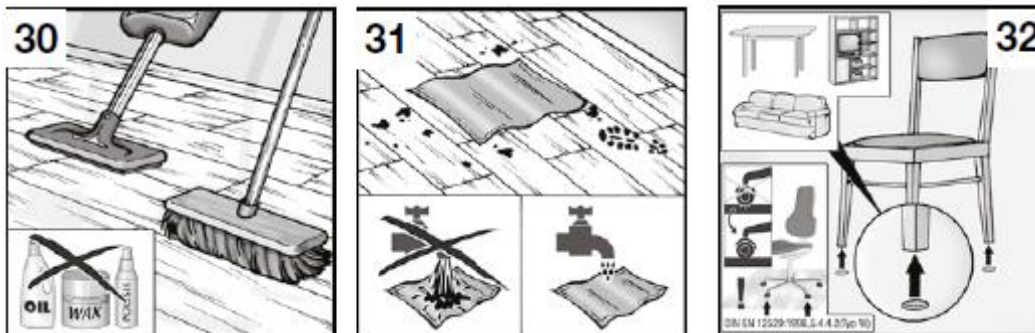
For heating pipes, holes that are 3 cm larger than the pipe diameter must be recessed. Saw out, glue, fit and fix with a wedge until the glue has hardened. Then cover recesses with radiator cuffs. Shorten the wooden door frame so that a panel with impact sound insulation incl. 2 - 3 mm distance below it fits. Remove spacer wedges after installation.

SKIRTINGS



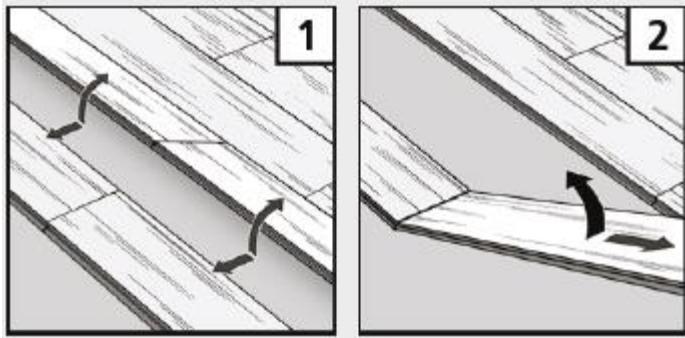
For the perfect finish, fasten the skirting boards at a distance of 40 - 50 cm to the wall and put on the matching skirting boards.

CLEANING AND CARE



Remove non-adhering dirt by sweeping or with a vacuum cleaner suitable for hard floors. Only use the wiping care recommended by the flooring manufacturer for ongoing maintenance cleaning. Polish and cleanser with care additives such as wax, oil or similar are not suitable for treating floor surfaces. The floor must not be polished. Wipe the footprints and dirt with a well-wrung, drip-free cloth. Standing wetness should be avoided under all circumstances! Special care should be taken with flower pots, vases and the like on the floor. Use a waterproof base.

Attention! Protect the floor from scratches or impressions! Use a sufficiently large dirt trap mat in entrance areas. Furniture feet made of wood, metal or plastic must be provided with felt gliders. Only use office chairs with soft chair castors (DIN 12529) or underlay a commercial grade protective mat.

DISASSEMBLE

The disassemble over the floating floor follows that firstly the entire row of the panels are removed at the long sides through bending the Lock. Afterwards the planks are bent head-flat on the floor at the narrow side and the connection is released.